



PARTS

# WÓZEK MASZTOWY

Katalog części CBM 135





PARTS

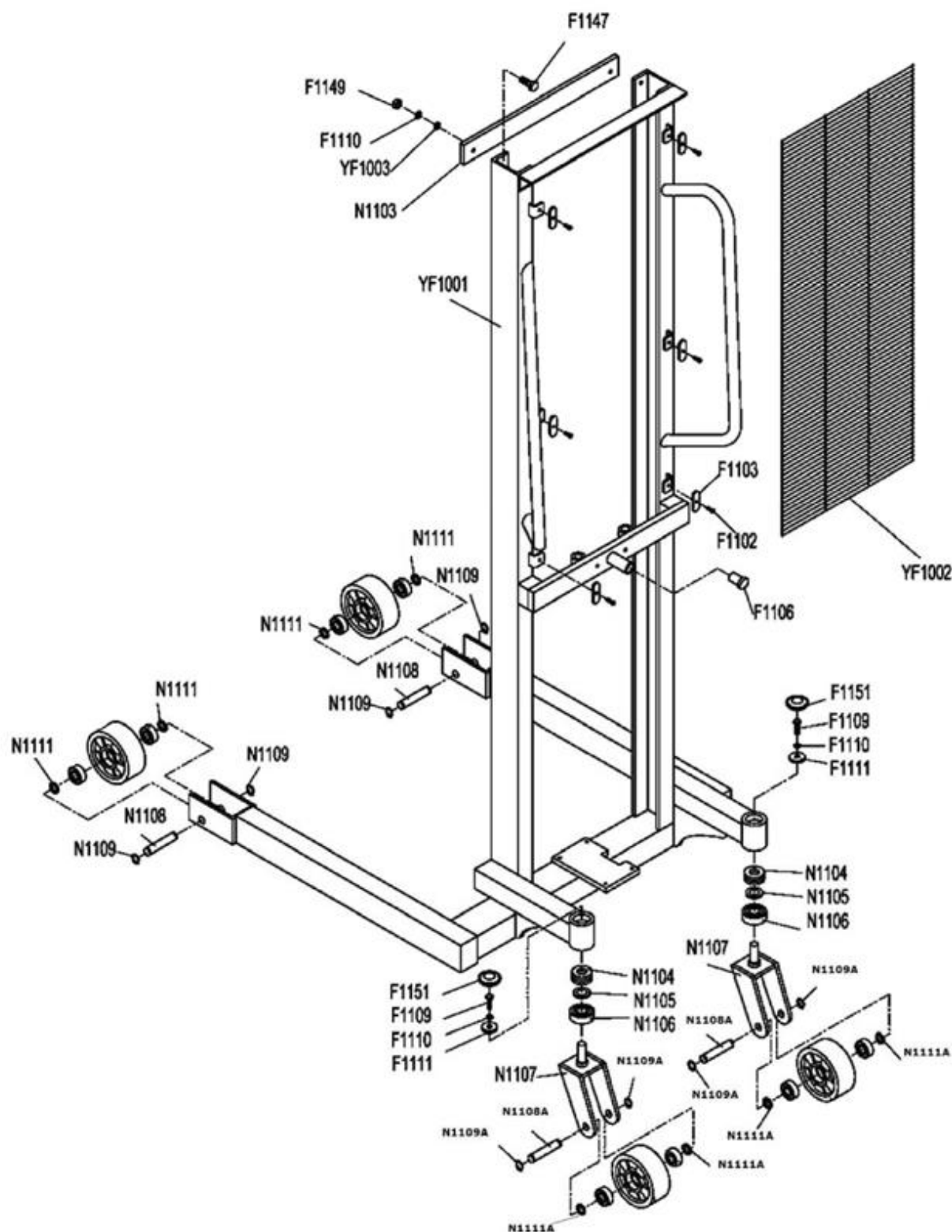
## SPIS TREŚCI

---

1. MASZT.....
2. RAMA.....
3. KARETKA .....
4. CHWYTAK.....
5. POMPA.....
6. DYSZEL.....
7. NOTATKI.....



# 1. MASZT



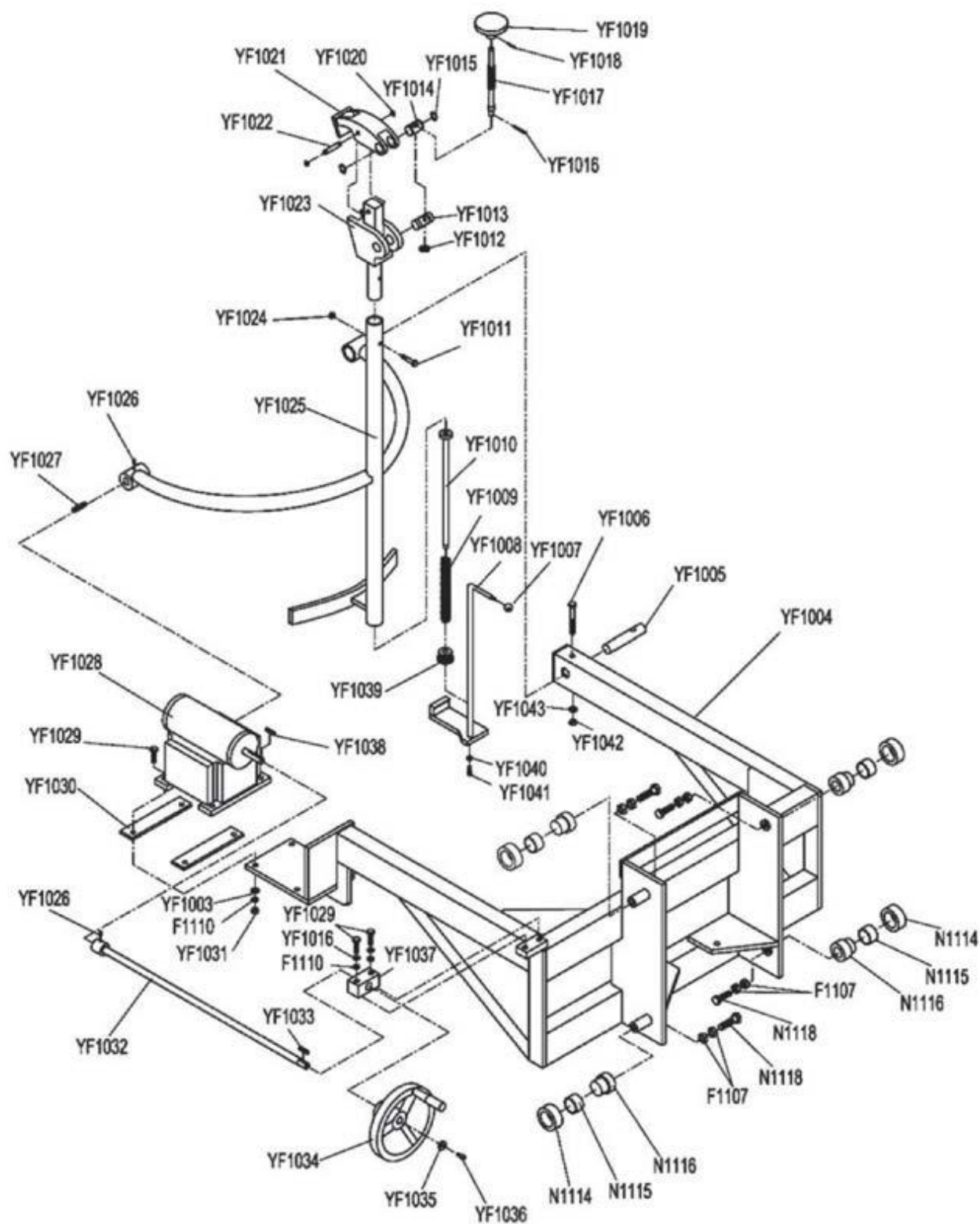


PARTS

<b>Nr.</b>	<b>Nazwa</b>	<b>Remark</b>	<b>Ilość</b>	<b>Numer Katalogowy</b>
F1102	Screw		6	<b>1657350</b>
F1103	Spacing piece		6	<b>1657351</b>
F1106	Rubber pad		1	<b>1657352</b>
F1109	Bolt		2	<b>1657354</b>
F1110	Gasket		4	<b>1657355</b>
F1111	Washer		2	<b>1657356</b>
F1147	Bolt		2	<b>1657357</b>
F1149	Nut		2	<b>1657358</b>
F1151	Dust cap		2	<b>1657359</b>
N1103	Stop plate		1	<b>1657331</b>
N1104	Bearing 8304		2	<b>1657332</b>
N1105	Spacing ring		2	<b>1657333</b>
N1106	Bearing		2	<b>1657334</b>
N1107	Rear wheel bracket		2	<b>1657335</b>
N1108	Front wheel axle		4	<b>1657340</b>
N1108A	Rear wheel axle		4	<b>1657336</b>
N1109	Check ring		8	<b>1657341</b>
N1109A	Check ring		8	<b>1657337</b>
N1110-C	Front wheel (150 mm)	150mm	2	<b>1657447</b>
N1110A-C	Rear wheel (180 mm)	180mm	2	<b>1657448</b>
N1111	Washer		8	<b>1657343</b>
N1111A	Washer		8	<b>1657339</b>
YF1001	Carriage		1	<b>1657288</b>
YF1002	Net		1	<b>1657289</b>
YF1002	Net		14	<b>1657289</b>
N1109A	Chain		2	<b>1659767</b>



## 2. RAMA





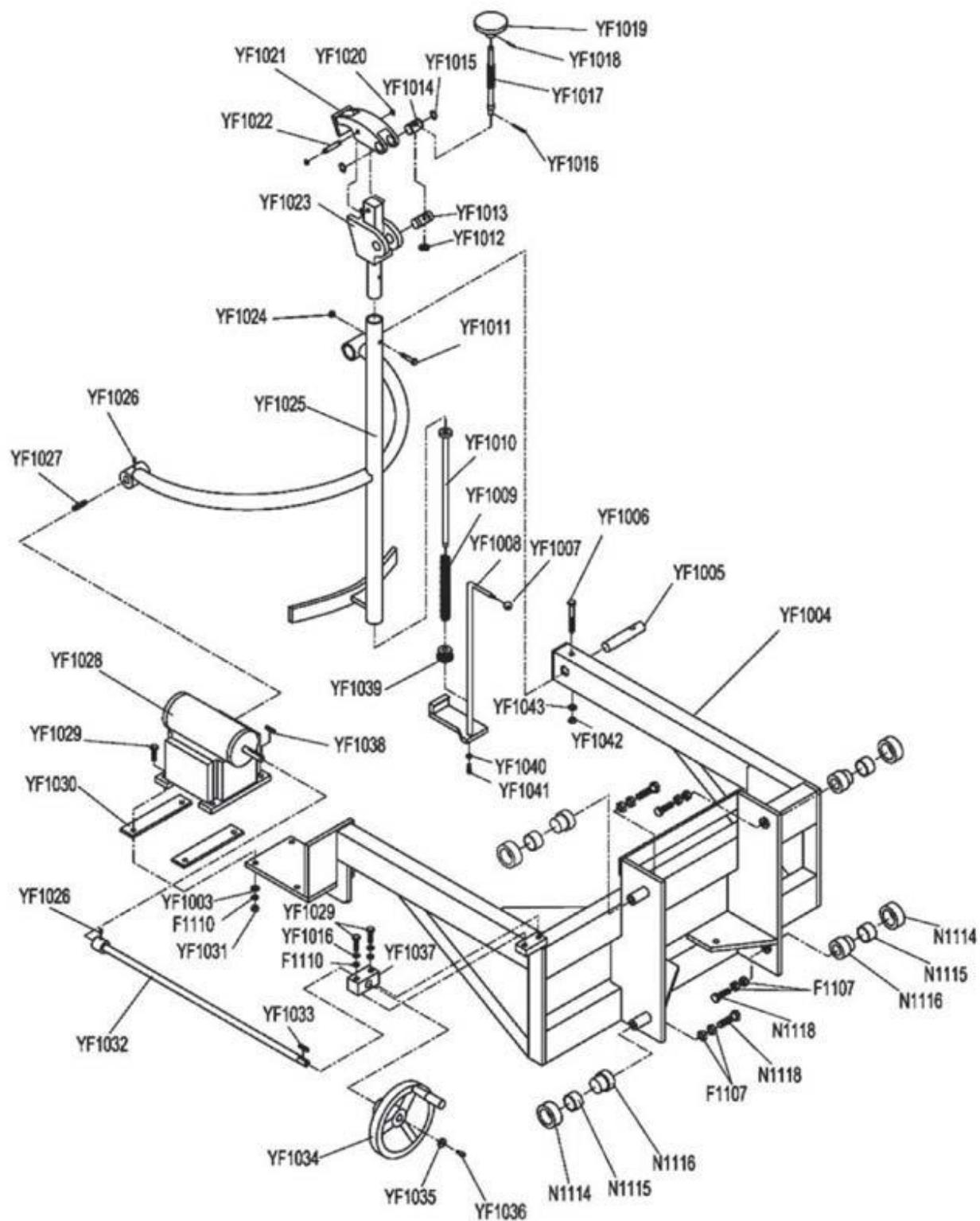
PARTS

<b>Nr.</b>	<b>Nazwa</b>	<b>Remark</b>	<b>Ilość</b>	<b>Numer Katalogowy</b>
F1107	Nut		8	<b>1657353</b>
N1114	Pulley		4	<b>1657344</b>
N1115	Pulley bush		4	<b>1657345</b>
N1116	Shaft housing		4	<b>1657346</b>
N1118	Bolt		4	<b>1657347</b>
YF1003	Washer		14	<b>1657290</b>
YF1004	Sliding guide assembly		1	<b>1657291</b>
YF1005	Supporting axle		1	<b>1657292</b>
YF1006	Bolt		1	<b>1657293</b>
YF1007	Ball		1	<b>1657294</b>
YF1008	Joystick		1	<b>1657295</b>
YF1009	Spring		1	<b>1657304</b>
YF1010	Top axle assembly		1	<b>1657305</b>
YF1011	Bolt		1	<b>1657306</b>
YF1012	Washer		2	<b>1657307</b>
YF1013	Supporting axle		1	<b>1657308</b>
YF1014	Nut axle		1	<b>1657309</b>
YF1015	Check ring		2	<b>1657310</b>
YF1016	Split pin		1	<b>1657311</b>
YF1017	Screw rod Tr16×4		1	<b>1657312</b>
YF1018	Taper bolt		1	<b>1657313</b>
YF1019	Handwheel		1	<b>1657314</b>
YF1020	Check ring		2	<b>1657315</b>
YF1021	Upper clamp		1	<b>1657316</b>
YF1022	Pin axle		1	<b>1657317</b>
YF1023	Lower clamp		1	<b>1657318</b>
YF1024	Locknut		1	<b>1657319</b>
YF1025	Rotating stand		1	<b>1657320</b>
YF1026	Screw		2	<b>1657321</b>
YF1027	Flat key		1	<b>1657322</b>
YF1028	Transmission		1	<b>1657323</b>
YF1029	Bolt		6	<b>1657324</b>
YF1030	Plate		2	<b>1657325</b>
YF1031	Nut		4	<b>1657326</b>



PARTS

### 3. KARETKA







PARTS

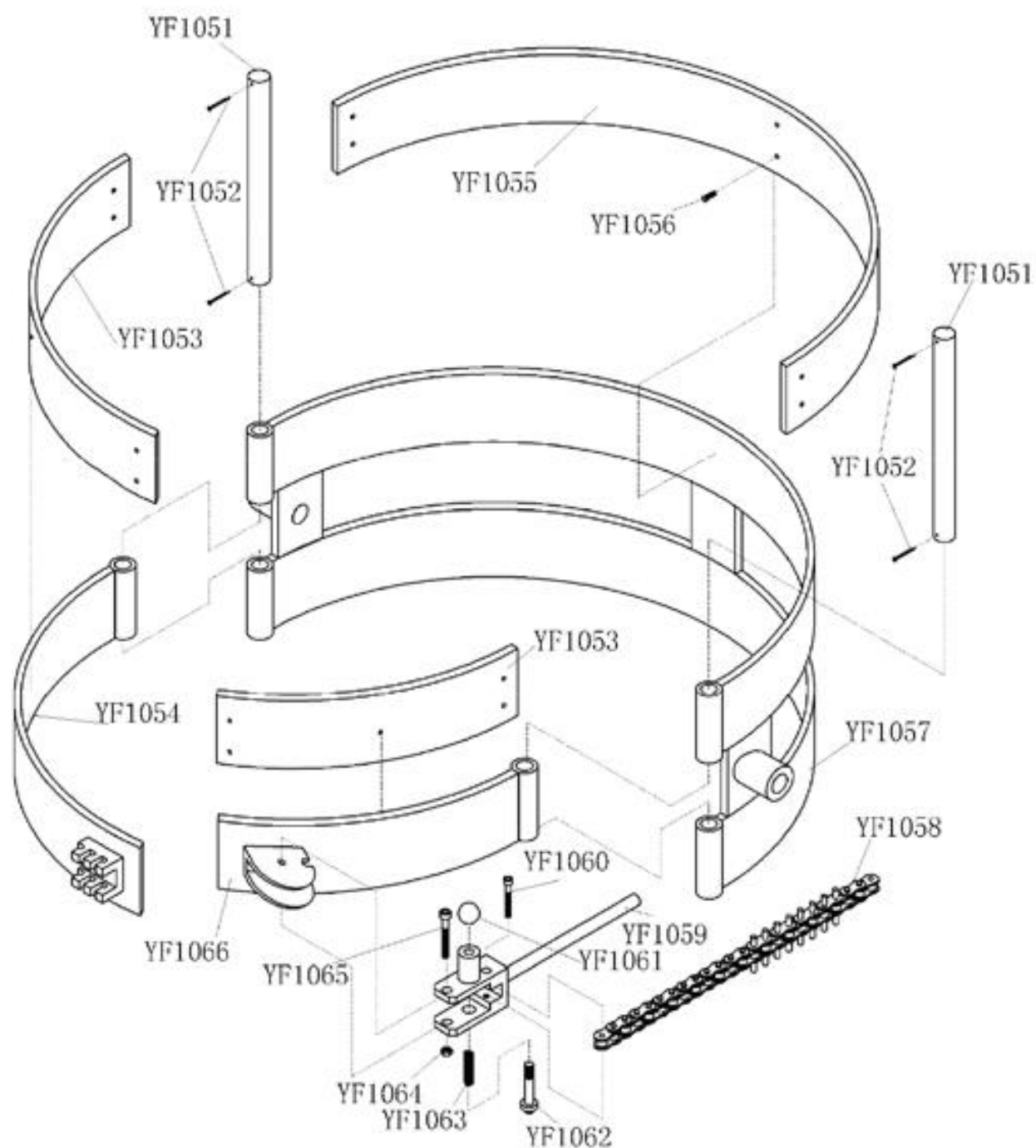
<b>Nr.</b>	<b>Nazwa</b>	<b>Remark</b>	<b>Ilość</b>	<b>Numer Katalogowy</b>
YF1032	Handwheel axle		1	<b>1657327</b>
YF1033	Flat key		1	<b>1657328</b>
YF1034	Handwheel		1	<b>1657329</b>
YF1035	Gasket		1	<b>1657296</b>
YF1036	Screw		1	<b>1657297</b>
YF1037	Seat		1	<b>1657298</b>
YF1038	Flat key		1	<b>1657299</b>
YF1039	Sealing screw		1	<b>1657300</b>
YF1040	Gasket		1	<b>1657301</b>
YF1041	Screw		1	<b>1657302</b>
YF1042	Locknut		1	<b>1657303</b>
YF1043	Washer		1	<b>1657330</b>





PARTS

## 4. CHWYTAK





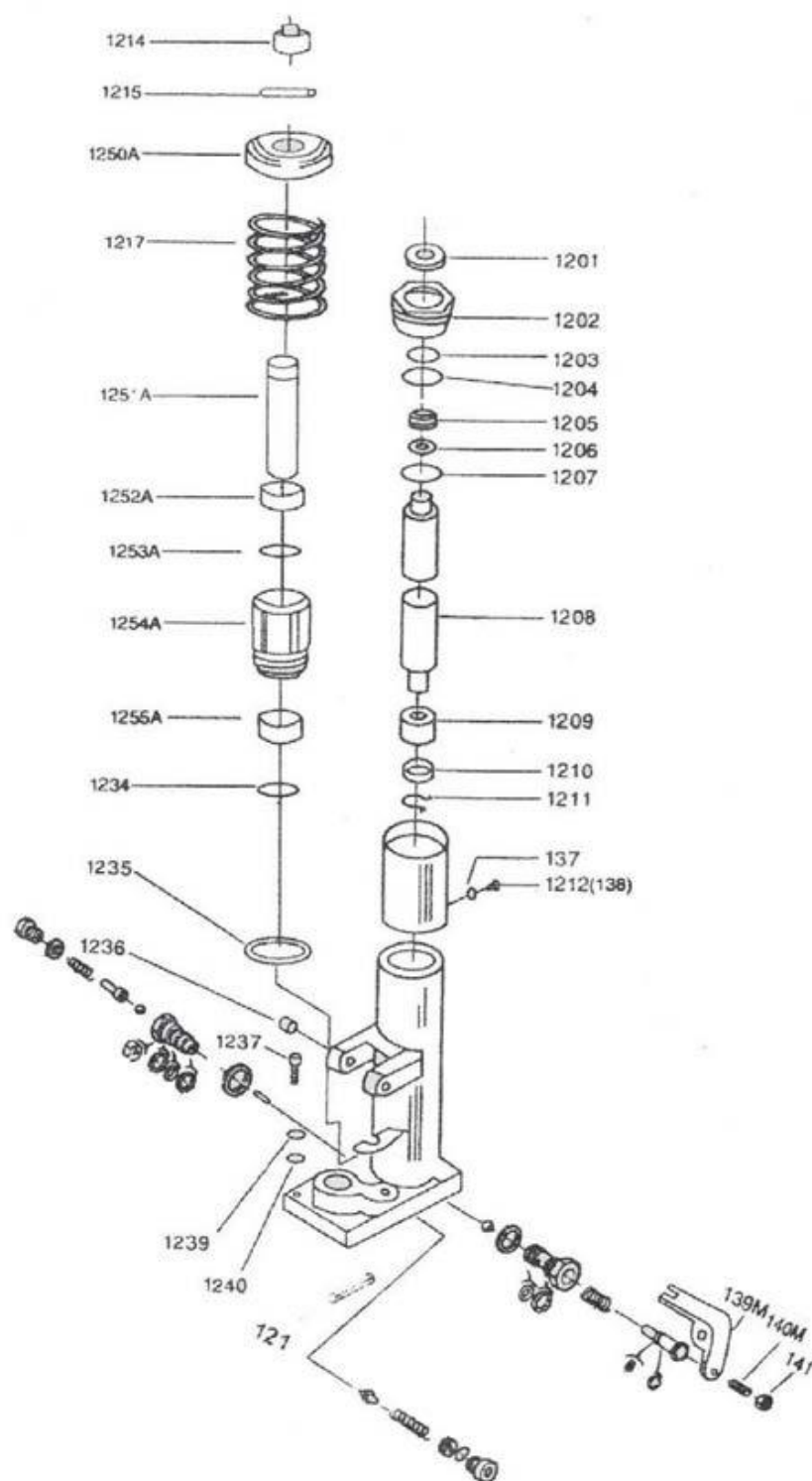
PARTS

<b>Nr.</b>	<b>Nazwa</b>	<b>Remark</b>	<b>Ilość</b>	<b>Numer Katalogowy</b>
YF1051	Pin axle		2	<b>1657360</b>
YF1052	Split pin		4	<b>1657361</b>
YF1053	Small pad		2	<b>1657362</b>
YF1054	Right movable arm		1	<b>1657363</b>
YF1055	Big pad		2	<b>1657364</b>
YF1056	Screw		22	<b>1657365</b>
YF1057	Fixed arm		1	<b>1657366</b>
YF1058	Chain		1	<b>1657374</b>
YF1059	Clamping rod		1	<b>1657367</b>
YF1060	Screw		1	<b>1657368</b>
YF1061	Ball		1	<b>1657369</b>
YF1062	Locating pin		1	<b>1657370</b>
YF1063	Spring		1	<b>1657371</b>
YF1064	Locknut		1	<b>1657372</b>
YF1065	Screw		1	<b>1657373</b>
YF1066	Left movable arm		1	<b>1657375</b>



PARTS

## 5. POMPA





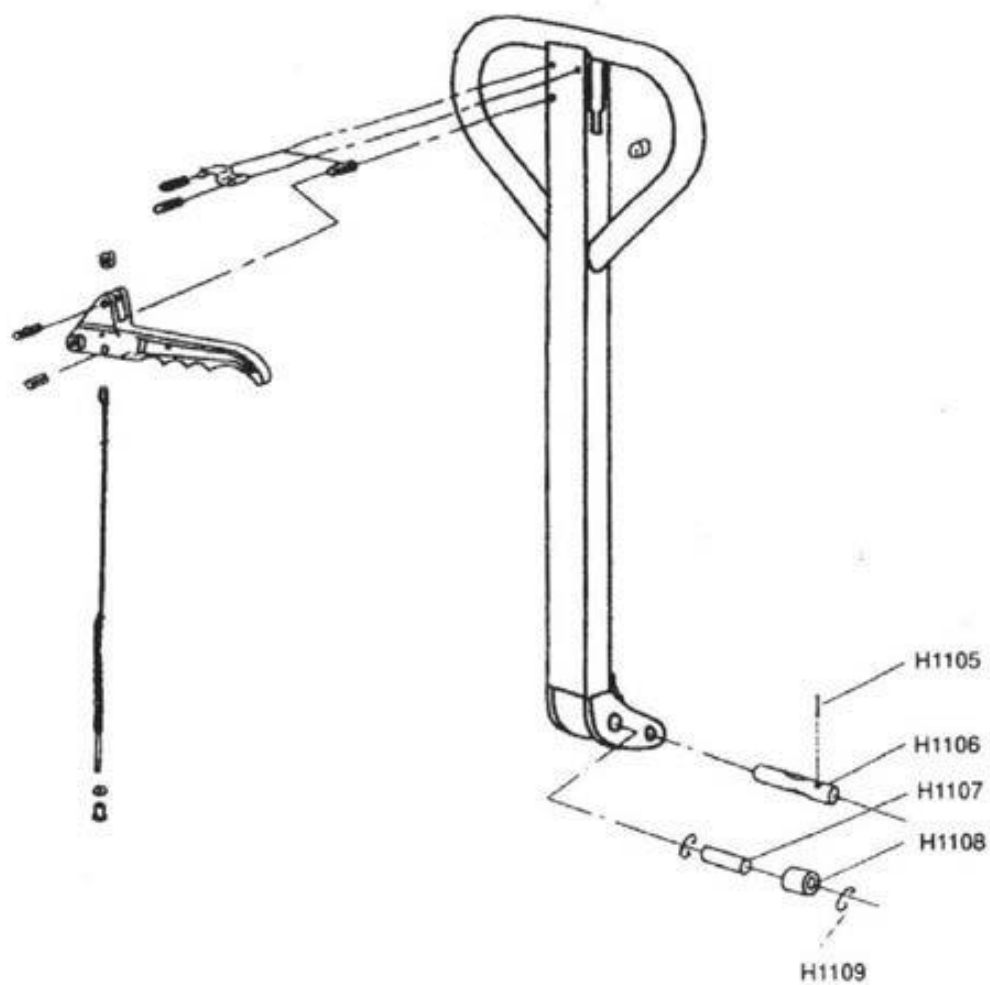
PARTS

Nr.	Nazwa	Remark	Ilość	Numer Katalogowy
1201	Dust proof ring		1	1657376
1202	Cylinder		1	1657377
1203	O-ring		1	1657378
1204	O-ring		1	1657379
1205	Seal ring		1	1657380
1206	Spacing washer		1	1657381
1207	O-ring		1	1657382
1208	Rod		1	1657383
1209	Guide casing		1	1657384
1210	Washer		1	1657385
1211	Retaining ring		1	1657386
1212	Screw		1	1657387
1214	Pressure bond		1	1657389
1215	Spring pin		1	1657390
1217	Spring		1	1657391
1234	O-ring		1	1657392
1235	Red copper		1	1657393
1236	Bushing		2	1657394
1237	Bolt		4	1657395
1239	Spring washer		4	1657396
1240	Plain washer		4	1657397
1250A	Spring cover		1	1657398
1251A	Pump plug		1	1657399
1252A	Dust proof ring		1	1657400
1253A	O-ring		1	1657401
1254A	Pump body		1	1657402
1255A	Seal ring		1	1657403
139M	Crank link		1	1657427
140M	Setting screw		1	1657428
141	Nut		1	1657429
1300	Seal Kit		1	1657449
1301	Valve kit		1	1657450
1302	Valve kit		1	1657451
1303	Valve kit		1	1657452
1304	Pump Complete		1	



PARTS

## 6. DYSZEL





PARTS

<b>Nr.</b>	<b>Nazwa</b>	<b>Remark</b>	<b>Ilość</b>	<b>Numer Katalogowy</b>
H200	Lever assembly		1	<b>1657453</b>
H300	Lowering rod assembly		1	<b>1657454</b>
H400	Tiller complete		1	<b>1657455</b>
H1105	Spring ring		1	<b>1657434</b>
H1106	Pin		1	<b>1657435</b>
H1107	Axle		1	<b>1657436</b>
H1108	Steel roller		1	<b>1657437</b>
H1109	Retaining ring		2	<b>1657438</b>

